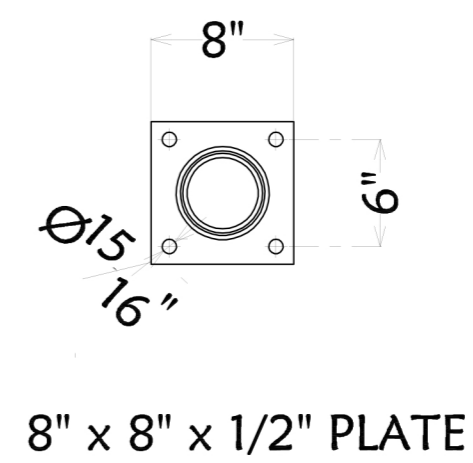


6" Steel Bollard with Cover



4" Steel Bollard with Cover

NO.	REVISIONS	DATE	APPROVED	PROJECT	CUSTOMER	DESCRIPTION	DRAWN BY:	APPROVED BY:	DATE:

**BOLLARDS AND SLEEVES** LLC  
 1-800-914-4771  
 bollardsleeves.com  
 sales@bollardsandsleeves.com

PROJECT NO:	SCALE:
FINISH:	DRAWING NO:
MATERIAL:	SHEET OF: